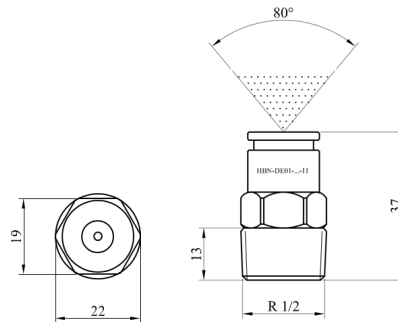


HBN Single hollow cone nozzle



Dimensions in mm

HBN - DE01-1,4-11											
Düsenbauart	Rohrgewindeanschluss	Variante	K-Wert	Q in l / min						Anschlussart	Werkstoff
DE = Einfach	0 = 1/2"	1 = ohne Erreger		p in (bar)						1 = RAG m. SW	1 = Messing
				4	6	8	10	12	16		
HBN - DE	0	1 -	1,4	2,80	3,43	3,96	4,43	4,85	5,60	-1	1
Bestell-Nr.: DE01001-1,4-110416											

Designation:
HBN DE01-1,4-11
Technical data

Spraying characteristics: Fine-spray nozzle with hollow cone
 Installation position: no restriction
 Operating pressure: 4 bar ... 16 bar
 K - value: 1.4 (±5%)
 Drop spectrum: Drop size < 100 µm
 Effective horizontal distance: approx. 2 m
 Effective surface: approx. 3,5 m²
 Spray cone angle: 80° (±5%)
 Filter: Hemispherical filter in stainless steel 1.4301
 Weight: 85g

Material

Nozzle bodies, nozzle inserts: Brass Ms58 (alternatively in aluminium, stainless steel)

Connection

pipe thread: R 1/2" AG with hexagonal connection SW19 (DIN 2999)

Application:

Object fine spray nozzle, cooling, humidification, dust binding