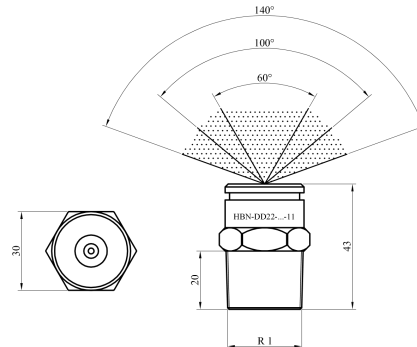


HBN Triple hollow cone nozzle



Dimensions in

mm

HBN - DD21-XX-11												
	Düsenbauart	Rohrgewinde-anschluss	Variante	K-Wert	Q in l / min						Anschlussart	Werkstoff
	DE = Einfach	2 = 1"	1 = ohne Erreger		p in (bar)							
					4	6	8	10	12	16		
HBN -	DD	2	1 -	24	48,00	58,79	67,88	75,89	83,14	96,00	-1	1
HBN -	DD	2	1 -	30	60,00	73,48	84,85	94,87	103,92	120,00	-1	1
HBN -	DD	2	1 -	36	72,00	88,18	101,82	113,84	124,71	144,00	-1	1
HBN -	DD	2	1 -	40	80,00	97,98	113,14	126,49	138,56	160,00	-1	1

Order no:

HBN-DZ-21234-XX-110516

Technical data

Spraying characteristics: Fine-spray nozzle with three hollow cones within one another
 Installation position: no restriction
 Operating pressure: 4.0 bar ... 16.0 bar
 K - value: 24 ... 40 (± 5%)
 Drop spectrum: Drop size < 100 µm
 Effective horizontal distance: approx. 3.5m
 Effective surface: approx. 16 m²
 Spray cone angle 1. inside: 60° (± 5%)
 Spray cone angle 2. inside: 100° (± 5%)
 Spray cone angle outside: 140° (± 5%)
 Weight: approx. 195 g

Material

Nozzle bodies, nozzle inserts: Brass Ms58
 Dirt trap: Hemispherical form in stainless steel 1.4301

Connection

pipe thread: R 1", AG with hexagonal connection SW

Technical data sheet
Fine spray nozzle HBN-DD21-XX-
11

TDB0009
Version 1

Page 2 of 2
Created on: 09/04/2016
Released: 10/05/2016

Application:

Object protection nozzle (any installation position possible)